

HICONICS

A member of Midea group

Quick Guide

Please scan the following QR code for Single Phase RESS User Manual



Please scan the following QR code to download the Solarman Smart and Solarman Business APP



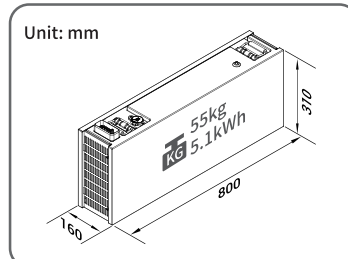
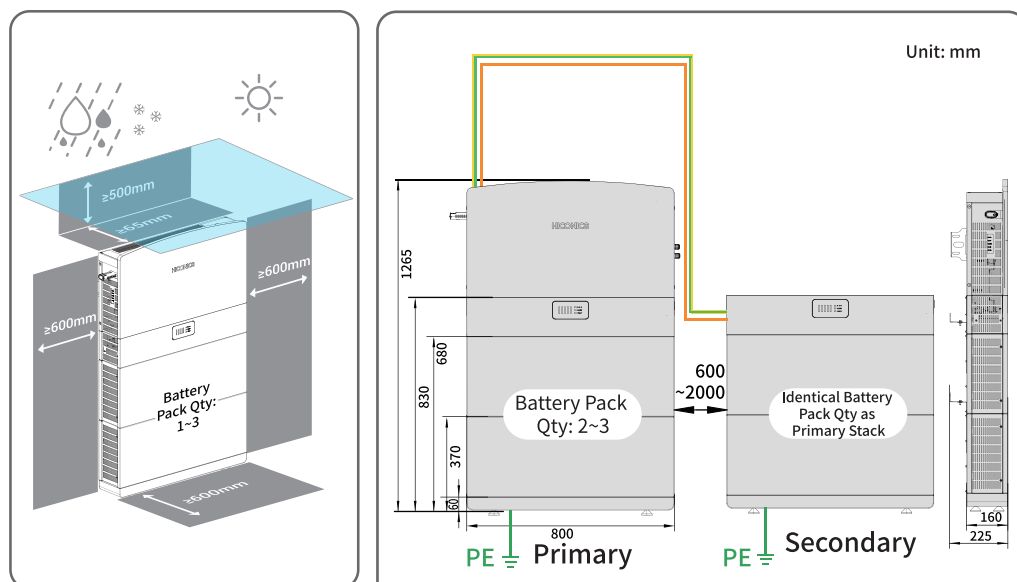
SOLARMAN Business APP



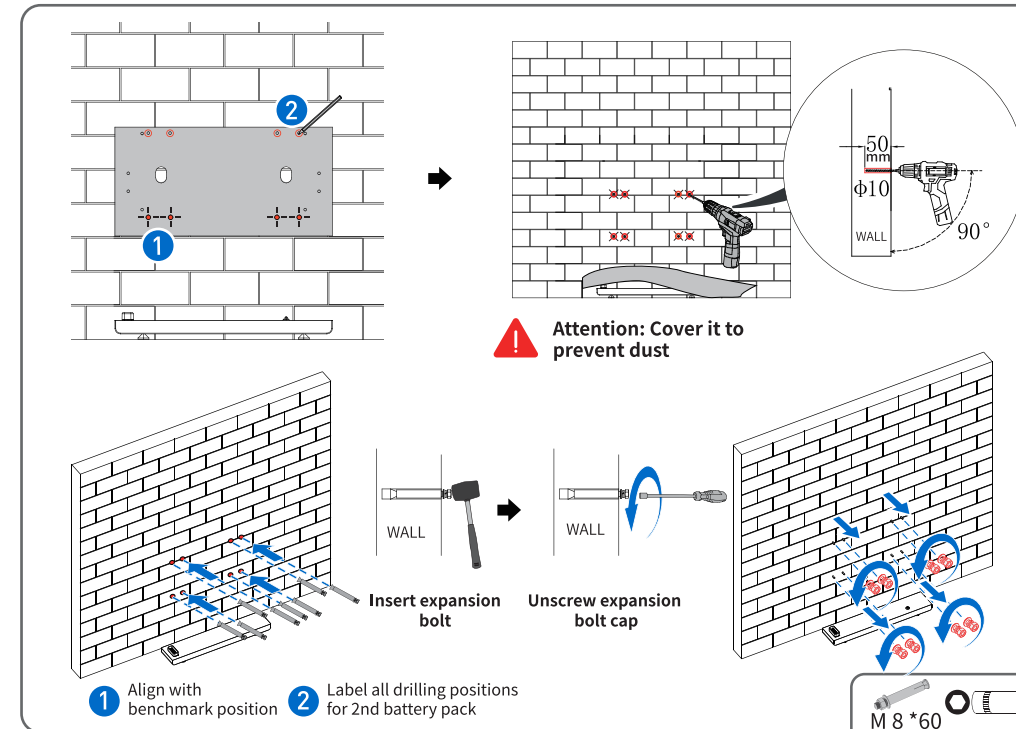
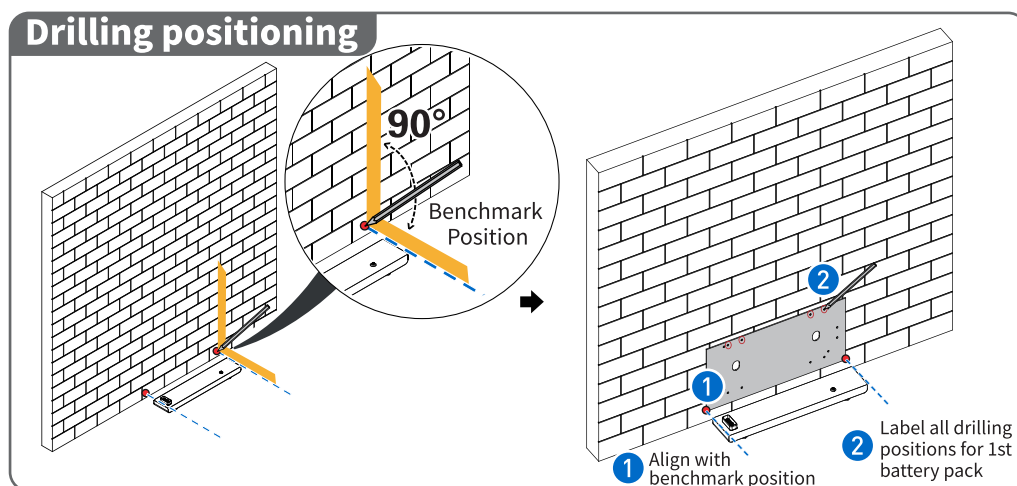
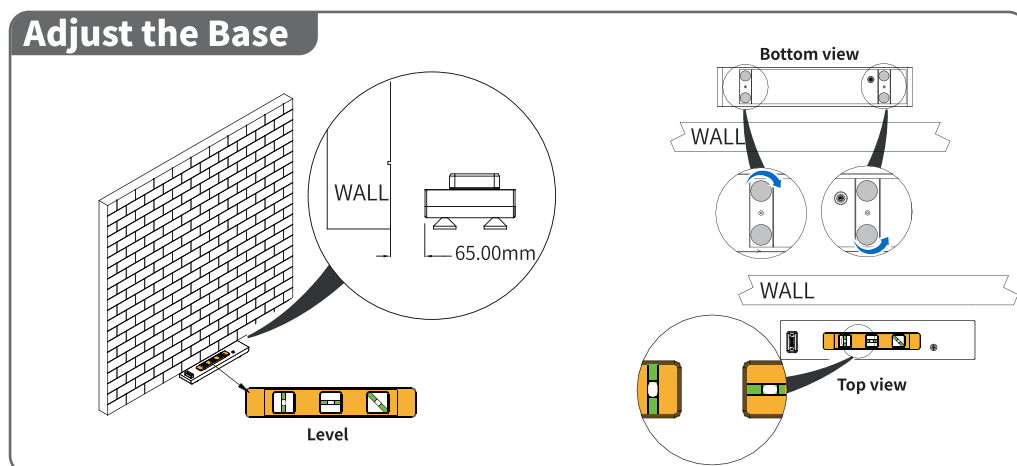
SOLARMAN Smart APP

Before installing the camera, please read through the user manual in order to learn the product information and safety precautions. The Company does not provide warranty services for any damage caused by the failure in storing, handling, installing and using the equipment according to this document and user manual. We may update this document irregularly due to product version upgrading or other reasons. This document is used for use guidance, and all statements, information and suggestions contained herein do not constitute any guarantee, either expressly or in an implied manner, unless otherwise specified.

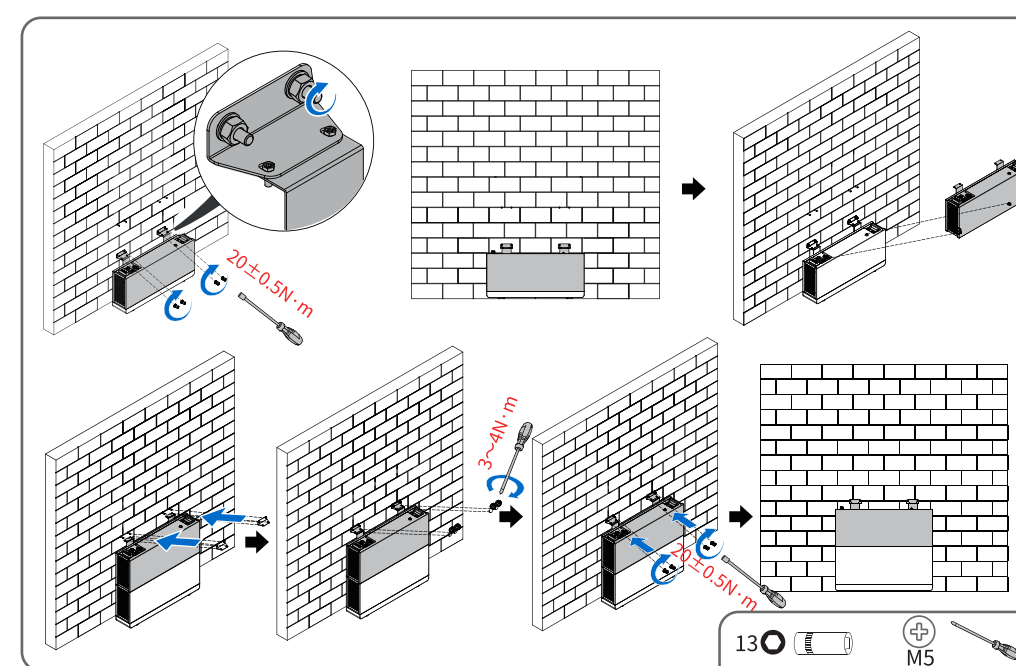
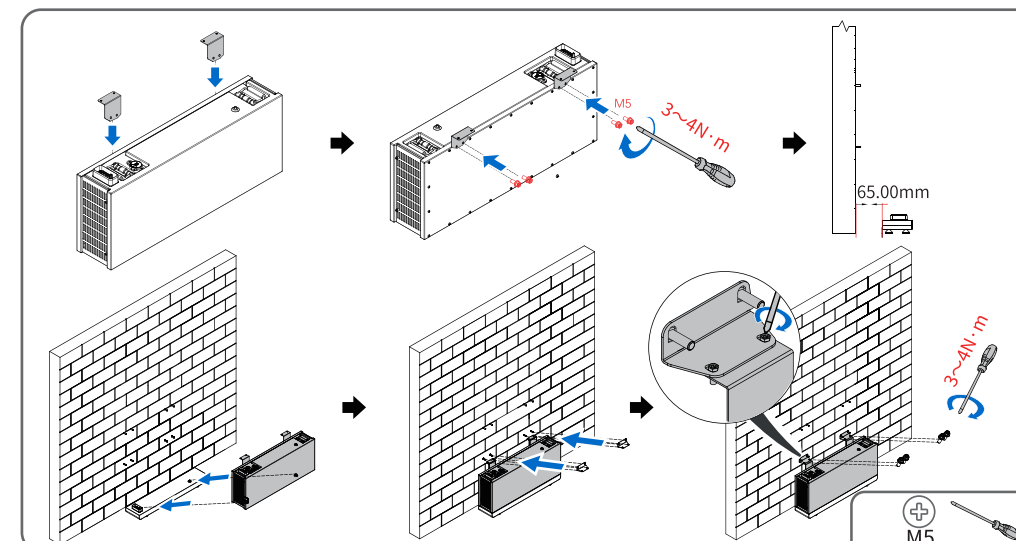
01 Installation Overview



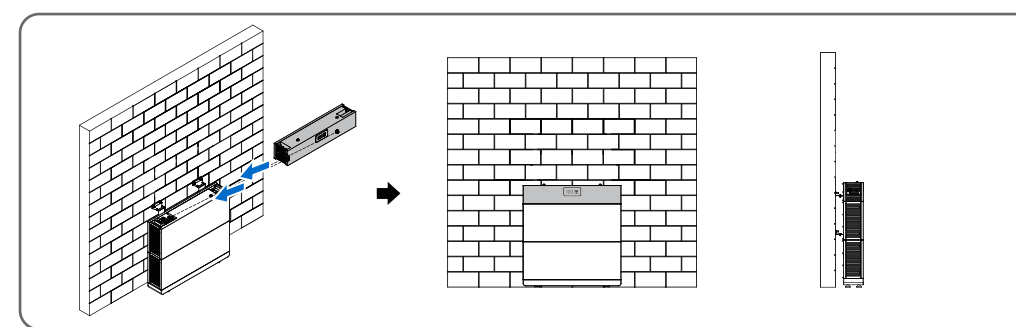
02 Drilling Holes for Battery Pack Positioning



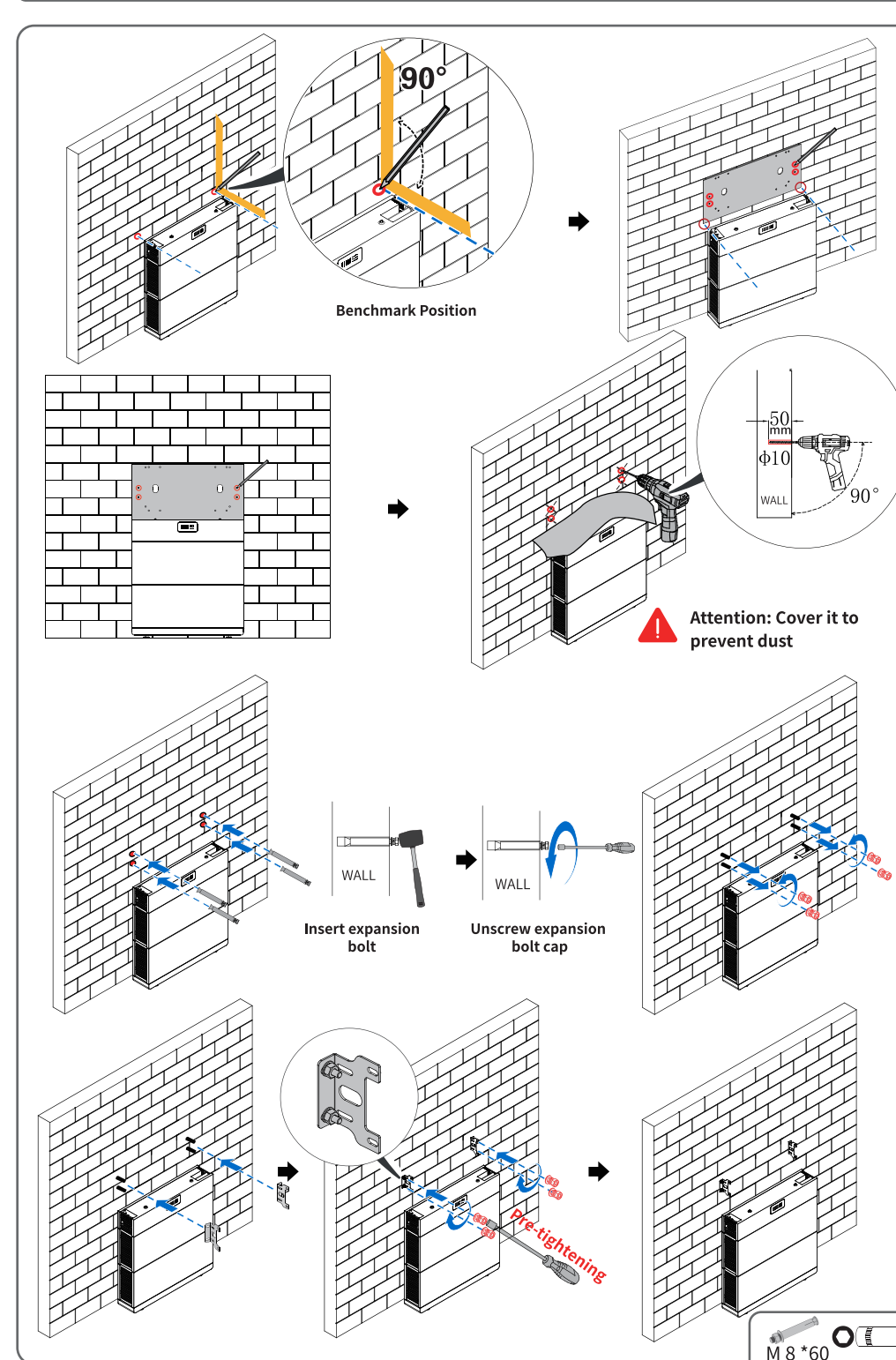
03 Installing Battery Pack



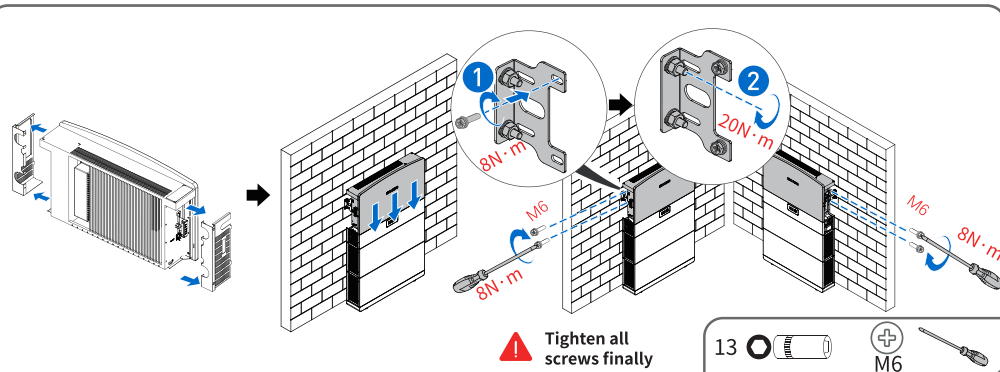
04 Installing BMS Control Box



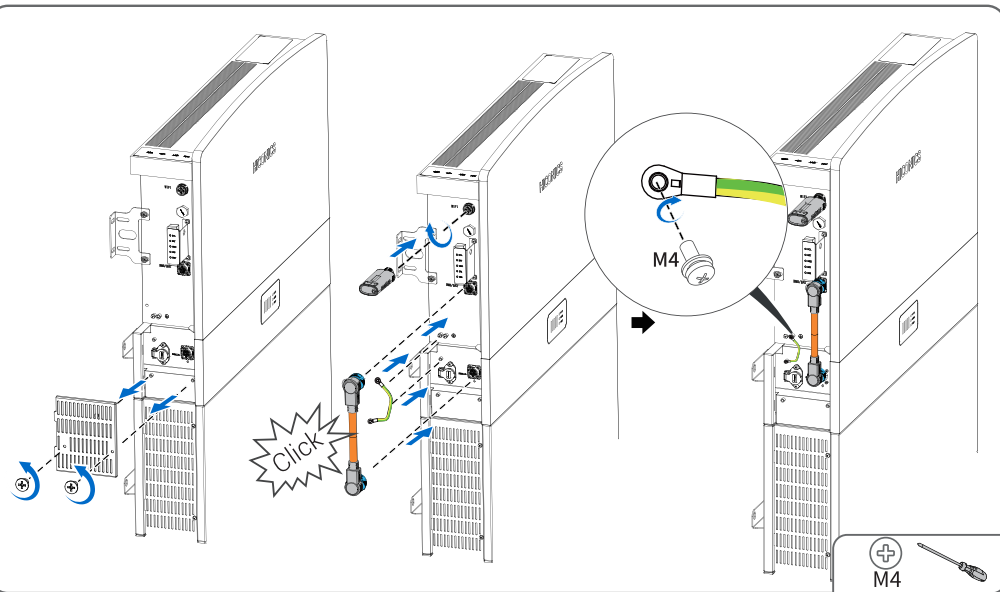
05 Drilling Holes for Inverter Positioning



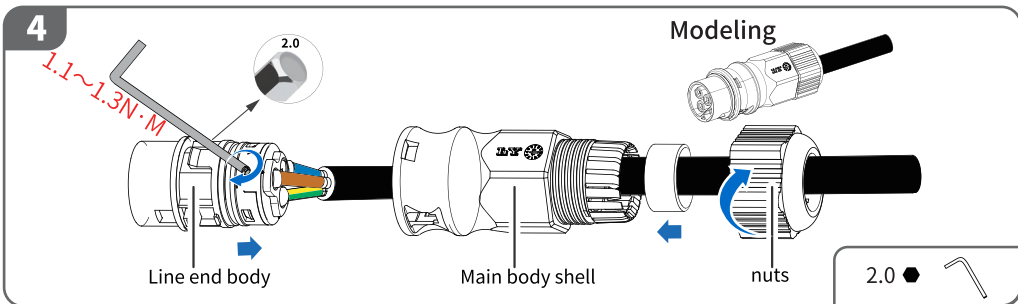
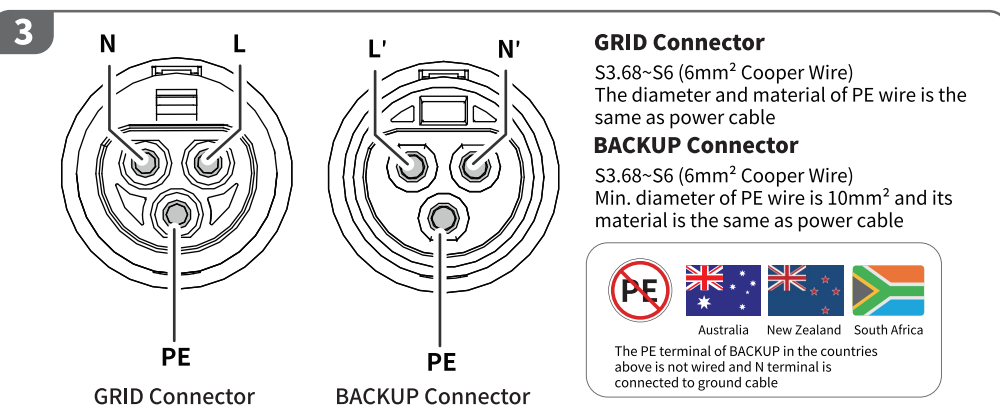
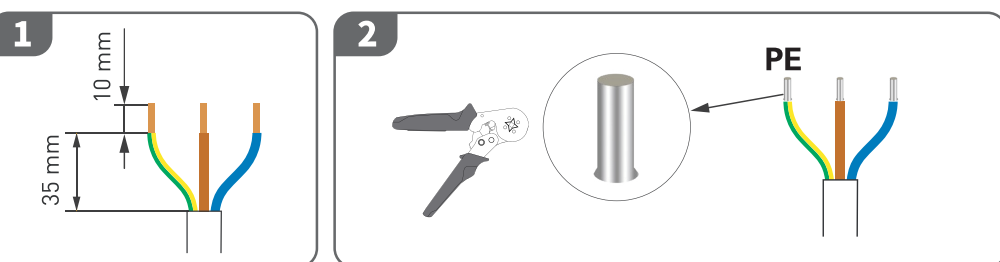
06 Installing Inverter



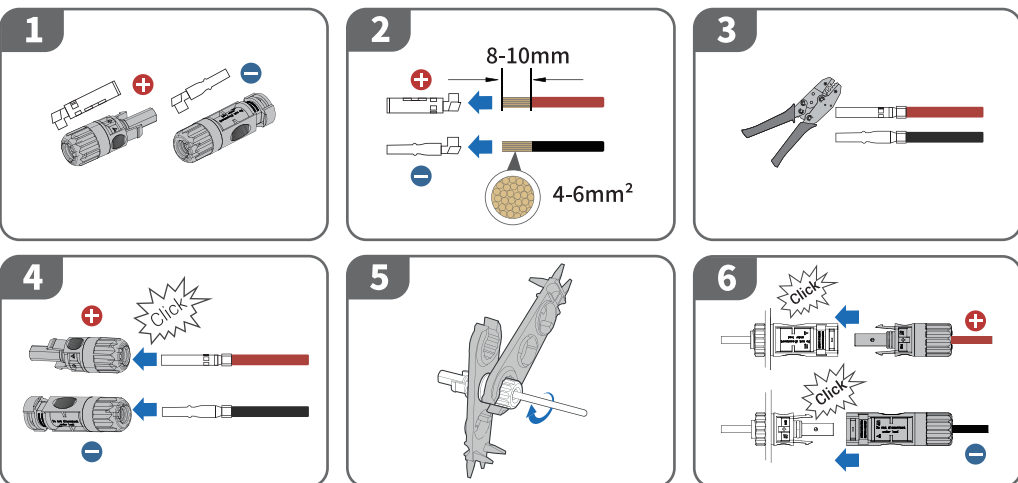
07 Connection of BMS Control Box and Inverter



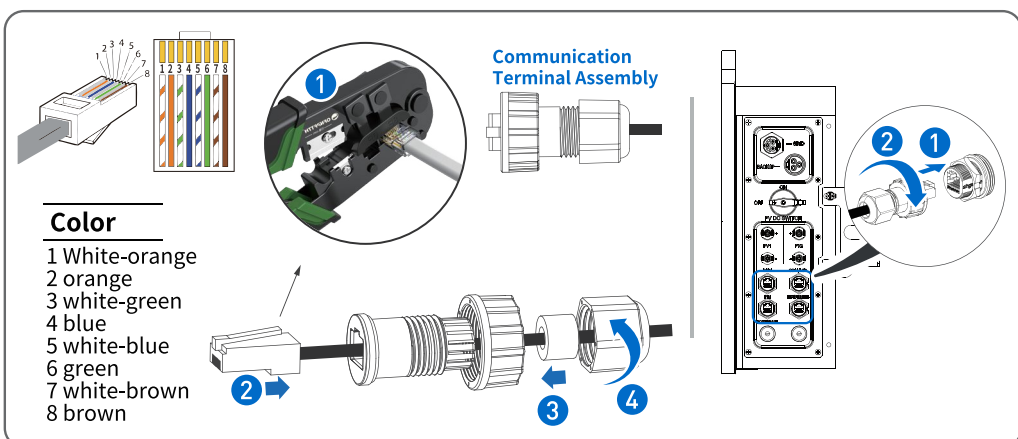
08 AC Connection



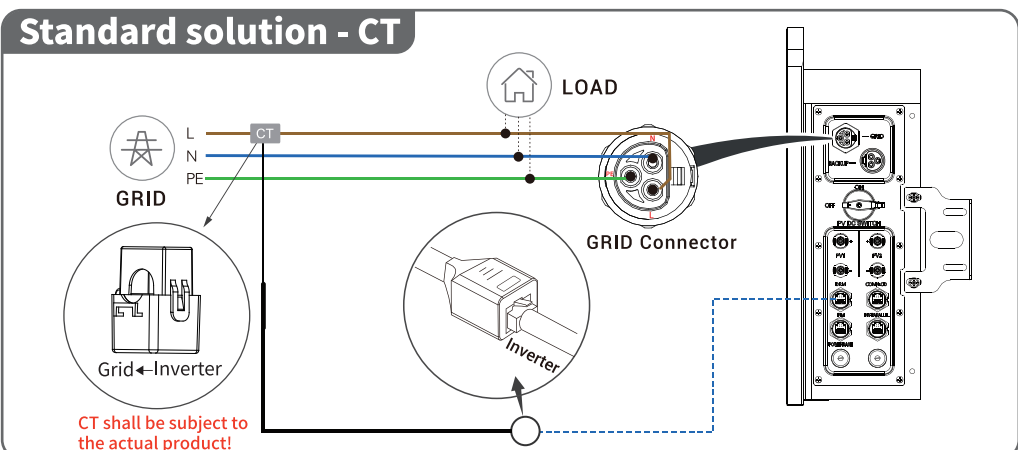
09 PV Connection



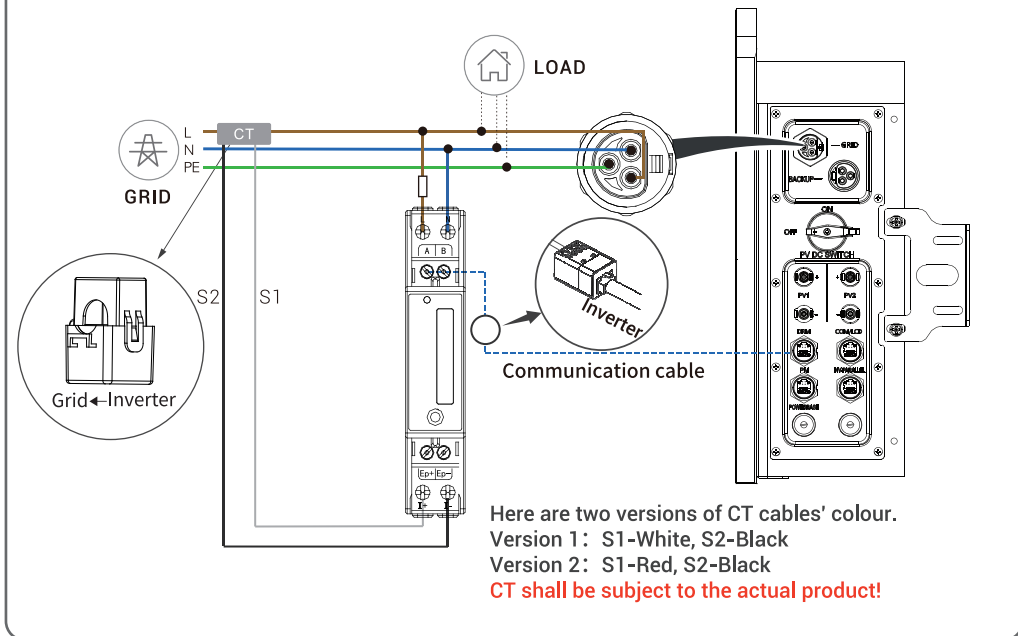
10 Connection of Communication Cable



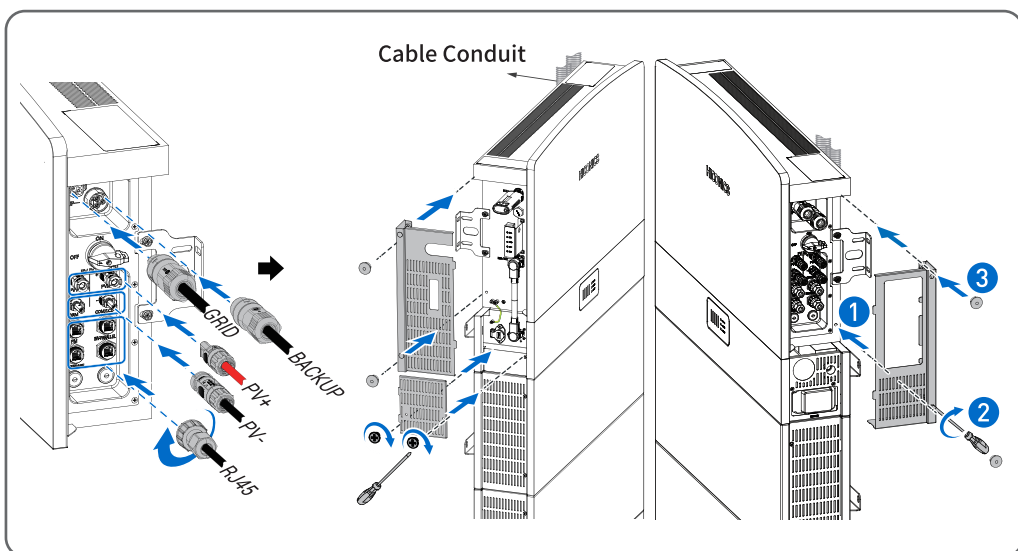
11 Connection of Metering



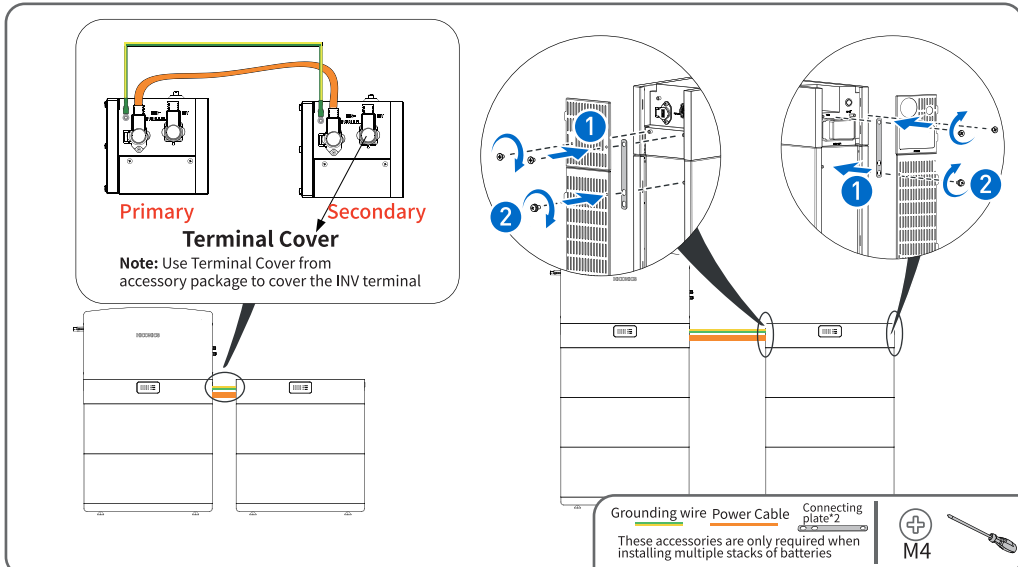
Optional solution - Meter



12 Overall Cable Connection



13 Parallel Operation



14 Power On/Off Operations

